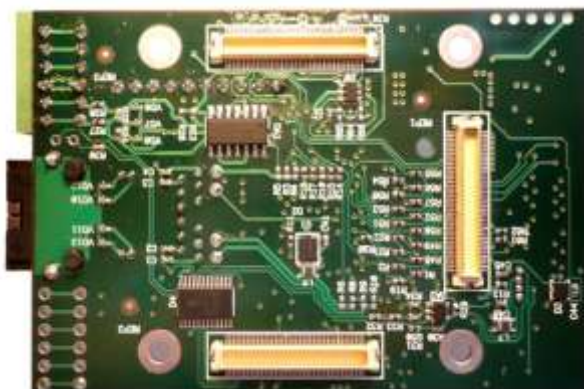
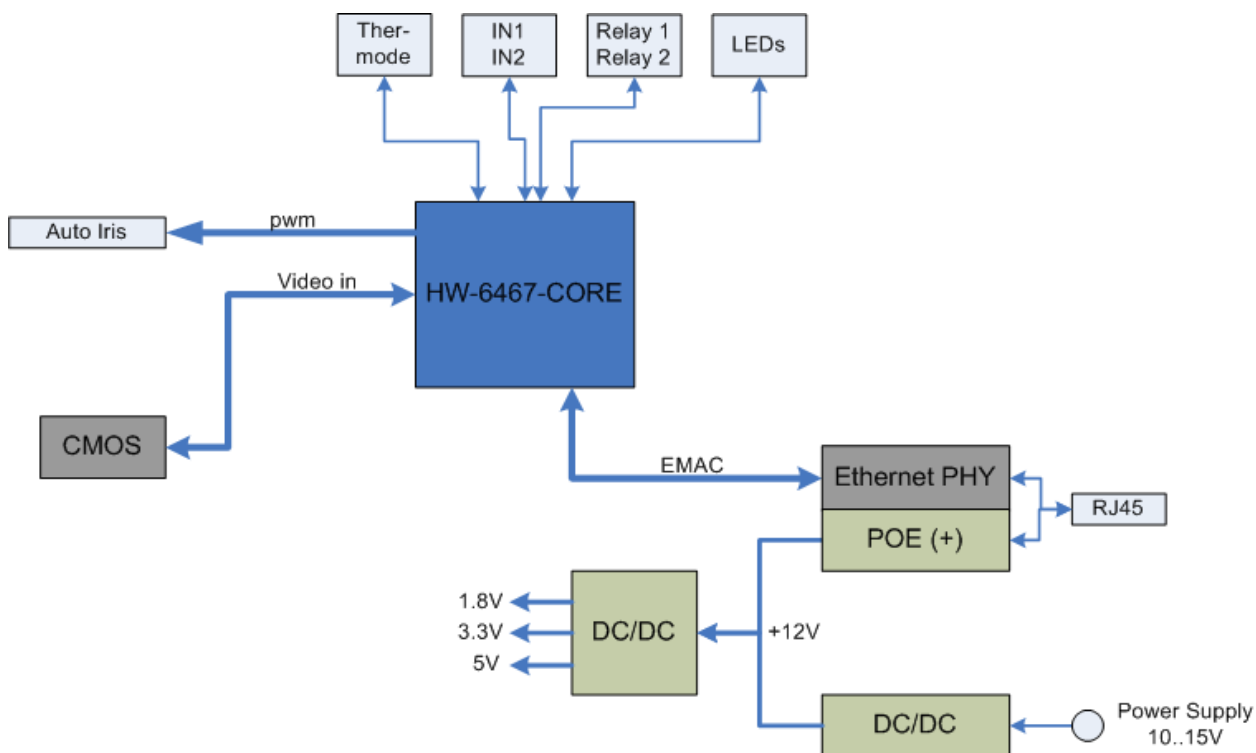


Product Datasheet

HW-6467-CAM High Delimitation IP Camera Module





Input voltage	12V ± 20%
Power consumption	<12W
Operating temperature range	-40°C to +85°C
Power in connector	DG141R
POE	POE only (no POE+)
Ethernet	10/100/1000 Mbps Ethernet
USB	N/A
Memory card	N/A
EMIF connector	N/A
RS232	N/A
LED	power, Ethernet
Temperature sensor	
Relays	2 miniature relays
Core module connector	SMD Molex 52991-0808 3 connectors, 80 pins, pitch 0.5 mm
Sensor connector	SMD Molex-SD-54132
Aperture control connector	125W-4-S
I/O connector	DG141R
Board size	55 x 80 x 14 mm