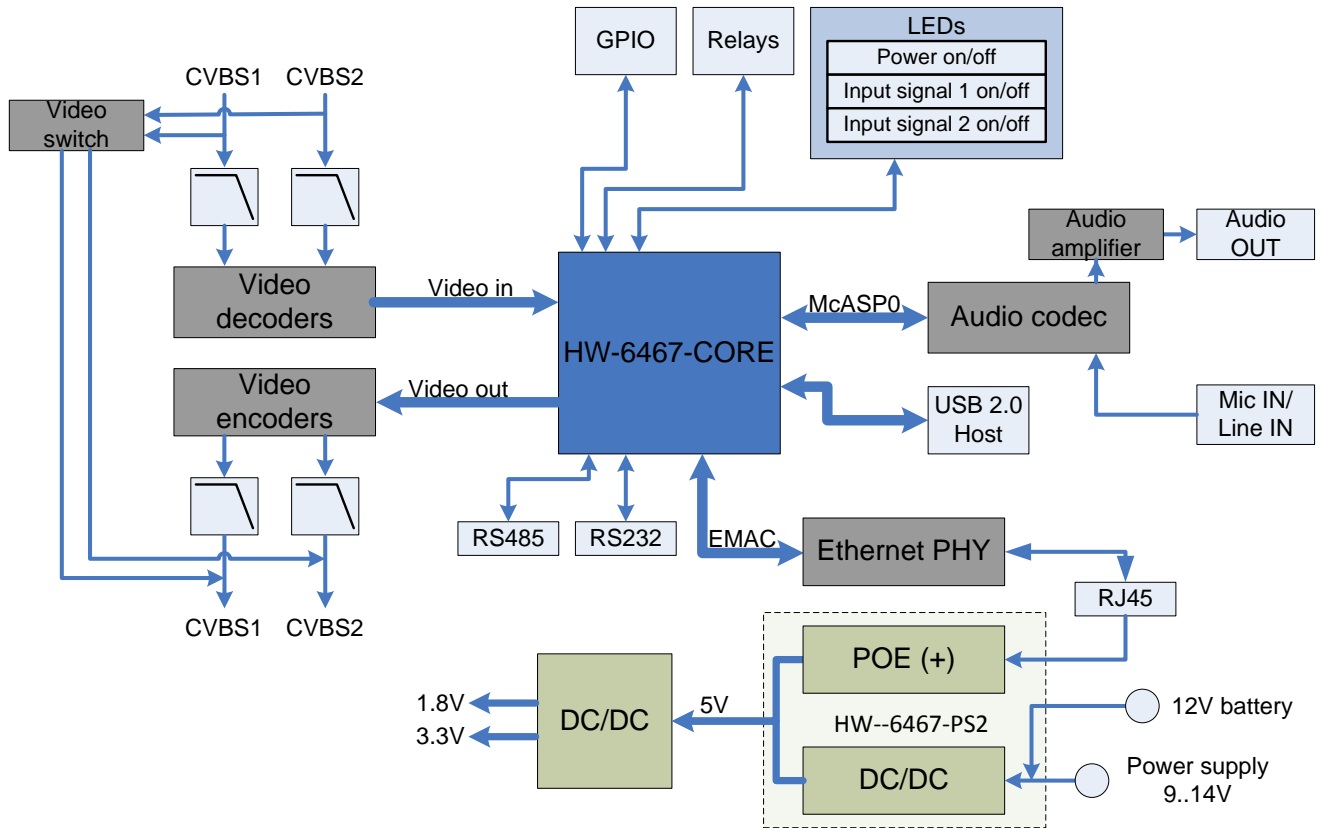


Product datasheet

HW-6467-ENC2 Dual Channel Intelligent Video Encoder



Specification

Supported standards		
ONVIF	ONVIF 1.0, all MUST and most SHOULD functions supported	
HTTP server	RFC 1945, RFC 2616	
SSL and TLS modules	RFC 2246, RFC 2818, RFC 3268	
RTP, RTSP, RTCP libraries	RFC 4571, RFC 2326, RFC 3550, RFC 3551, RFC 3984, RFC 3016, RFC 4585 and RFC 5104	
Software Environment		
Embedded OS	Linux kernel 2.6.18 and libc 2.5.90 from MontaVista 5.0, BusyBox v1.9.1	
Software support	Synesis MW-IVS with VF-DA, VA-SD and VA-SCT options	
Hardware Requirements		
Video processing core module	HW-6467-CORE	
	Processor	TMS320DM6467, up to 729 MHz
	RAM	DDR2, up to 256 Mb
	Flash	NAND, up to 2 Gbit
	Video port interface	BT.656, BT.1120
Power supply board	HW--6467-PS2	

Audio input	Analogue	Digital
	Single-channel superposed Linear/ microphone, with automatic gain control	With Ethernet/USB channel using
Audio output	Two-channel, stereo, with gain control	
	Output power, max, W/ch	
	4 Om	2.1
	8 Om	1.4
Auxiliary inputs/outputs of signaling(alarm)/external devices operations		
Digital inputs	2 individual pseudo-optoisolated digital inputs for passive sensors connection	
Analogue inputs	2 individual pseudo-optoisolated analogue inputs of external voltage in the range up to 60V 2A for external devices supply	
Analogue outputs	2 individual voltage outputs connected accordingly to analogue inputs voltages	
Supply voltage output	9 - 14 V 100 mA, for active sensors connection	
Interfaces		
Ethernet	10/100/1000 Mbps	
USB	2.0 client compatible with specification 2.3	
RS422/485	Up to 1 Mbit half-duplex	
Indication		
1st two-color LED	2 LEDs (power supply, video)	
	Supply voltage, source/color	
	External power supply (12 V or PoE+)	green
	Rechargeable battery	amber yellow
2nd two-color LED	Video signal input presence, video channel status/color	
	active video channel	green
	Error	amber yellow
Video Streaming		
Analogue video inputs' standards	(M, J) NTSC, NTSC 4.43, (B, D, G, H, I, N, M) PAL, (combination -N) PAL, PAL 60, SECAM	
Hardware-based encoders, transcoders and decoders	H.264, MPEG2, VC1, MPEG4	
Resolution	PAL (720x576), NTSC (720x480)	
Compression	JPEG, MJPEG, H.264 (YUV420, Base Profile)	
Frame Rate	Up to 30 fps	
Bit Rates	Configurable 128Kbps to 20Mbps	
Analogue video outputs' standards	NTSC M, PAL B/D/G/H/I/M/N, PAL 60	
Connectors		
Video inputs/outputs	BNC	
POE+/POE, Ethernet	RJ45	
Line IN/Mic IN	Audio jack	

Line OUT/ HP OUT	Audio jack
USB 2.0 Host	USB type A
Relay, digital inputs, RS485/RS422	Terminal block
External power connector, (+12V)	Power jack
Rechargeable battery	Power jack
Operating characteristics	
Supply voltage	+12 V +/-10% standard PoE+ individual battery supply input 12 V
Power consumption	Up to 24 W
Category temperature range	- 40 +50 C (0 – 50 C optional)
storage temperature	- 40 +70 C
Dust-proofing and moisture protection	IP54 (IP65 optional)
Boundary dimensions	160x108x45 mm
Optional features	
Loop though video channels if power off	
ESD and lightning guard	